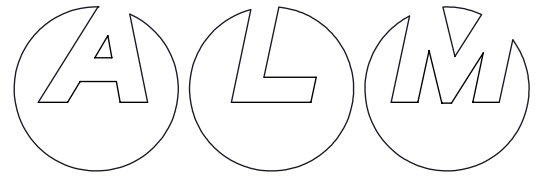


Ring 100

PENDANT - STRAIGHT SUSPENSION - INTEGRAL DRIVER

INSTALLATION INSTRUCTIONS



NOTE:

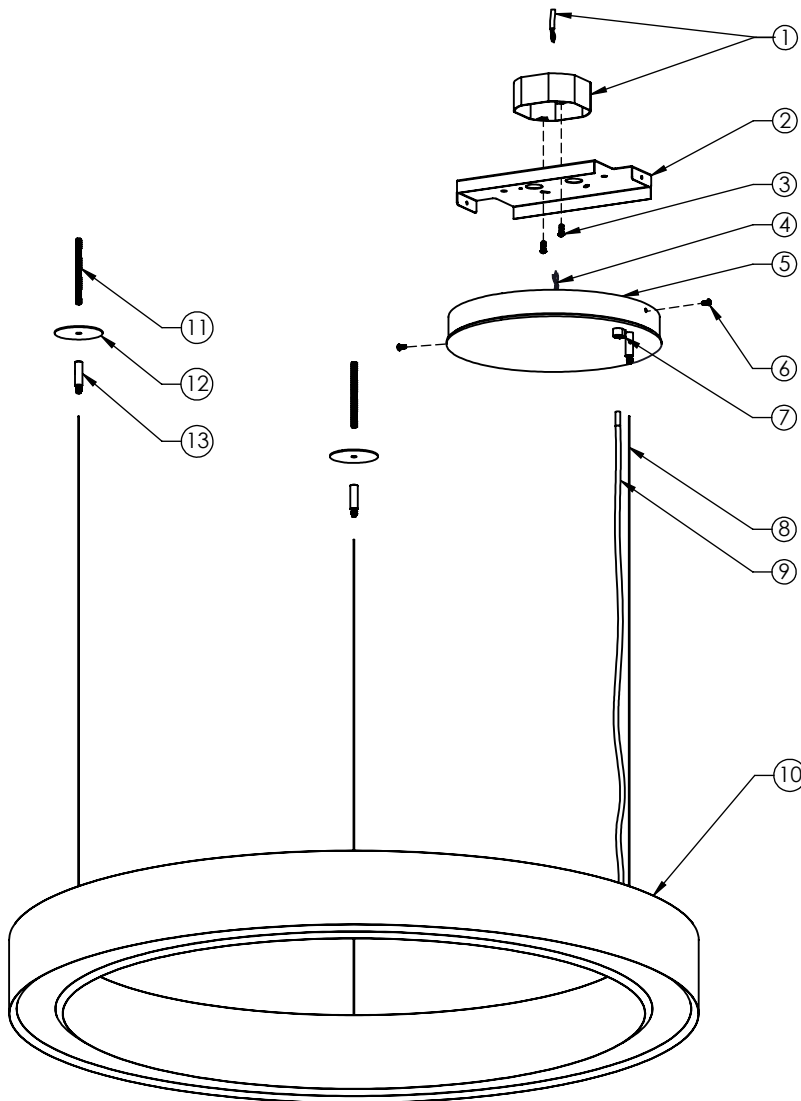
- 1/4-20 threaded rod (US market)
 - M6 threaded rod (EU market)
 Supplied and installed by others.
 The rod should be installed so it is sticking out 0.3"(8mm) below the surface of the ceiling.

NOTE:

Additional mounting hardware provided for installation where octagon box is not available.

NOTE:

If mounting option with threaded rod is not possible, please check "Ring 100 Pendant Specification Sheet" and order alternative mounting option separately. Alternative mounting option available:
NON-POWER:
 - MONP-1A
 (MONP-1A-1 and MONP-1A-2 included)



1	4" Octagon box and power feed (by others)
2	Ceiling bracket
3	Mounting screws to octagon box 8-32 x 3/4" long, round head (by others)
4	Driver power wires
5	Canopy assembly (driver housing)
6	Canopy assembly mounting screws
7	Power cord gripper
8	Stainless steel aircraft cable (x3)
9	Flexible power cord
10	Fixture assembly
11	Threaded rod (x2) (by others)
12	2.5" [64mm] dia. ceiling plate (x2)
13	Adjustable cable gripper

INSTRUCTIONS:

1. Unscrew canopy assembly mounting screws and remove canopy assembly from ceiling bracket.
2. Bring the electrical power feed through the hole in the ceiling bracket and secure ceiling bracket to the standard 4" octagon box (screws by others). If octagon box is not available, secure ceiling bracket to the ceiling using additional mounting hardware provided.
3. Bring aircraft cable through the adjustable cable gripper mounted on the canopy assembly.
4. Bring the power cord through the power cord gripper and secure with set screw provided.
5. Splice the fixture and driver wires as required.
Wires for connection are clearly labeled.
6. Splice the driver wires to the power feed as required.
7. Secure canopy assembly onto the ceiling bracket using screws provided.
8. Secure the 2.5" ceiling plates to the threaded rods with the adjustable cable grippers. The threaded rods should be installed per mounting point location noted on the cut sheet.
If mounting option with threaded rod is not possible, see note above.
9. Bring the aircraft cables through the adjustable cable grippers mounted on the ceiling.
10. Adjust height with adjustable aircraft cable grippers. Level the fixture and cut off excess cable.
11. Energize.

All specifications subject to change without notice © 2023

GENERAL NOTE:

- * Turn power off before beginning.
- * Do not connect to an ungrounded supply.
- * Consult a qualified electrician to ensure correct branch circuit conductor.
- * This product must be installed in accordance with the applicable installation code by a person familiar with the construction and operation of the product and the hazards involved.
- * Save these instructions.

www.almlighting.com